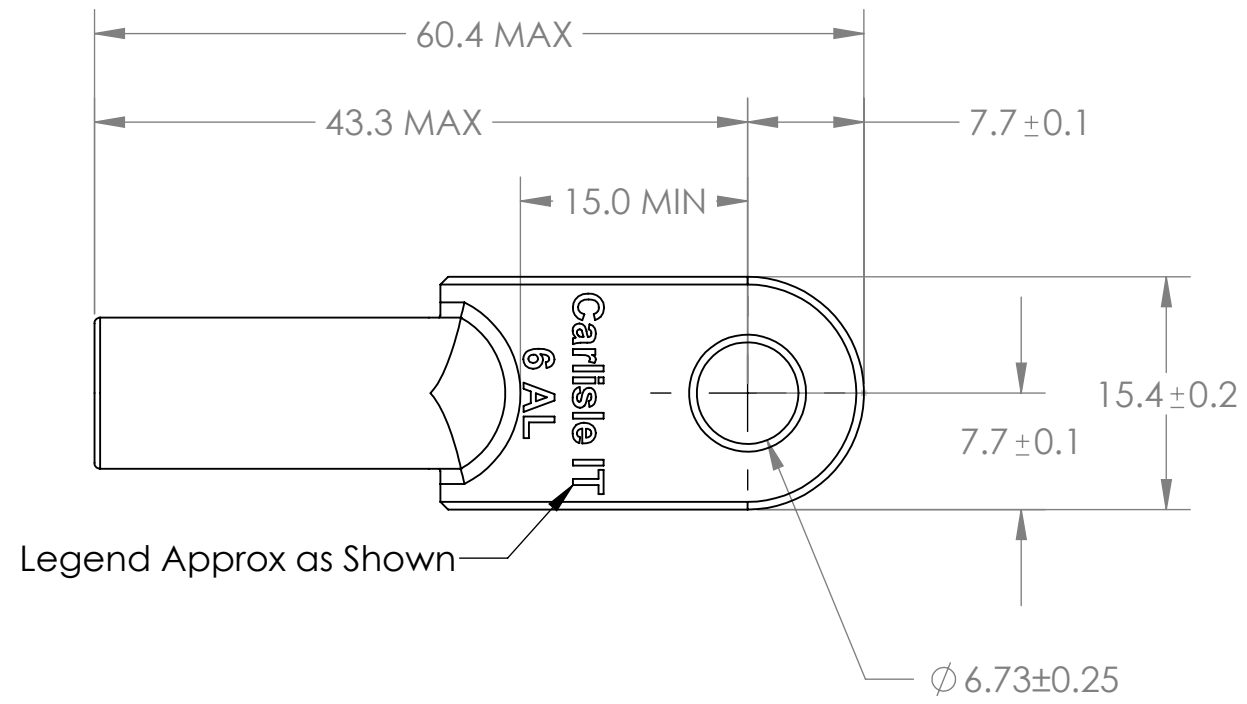
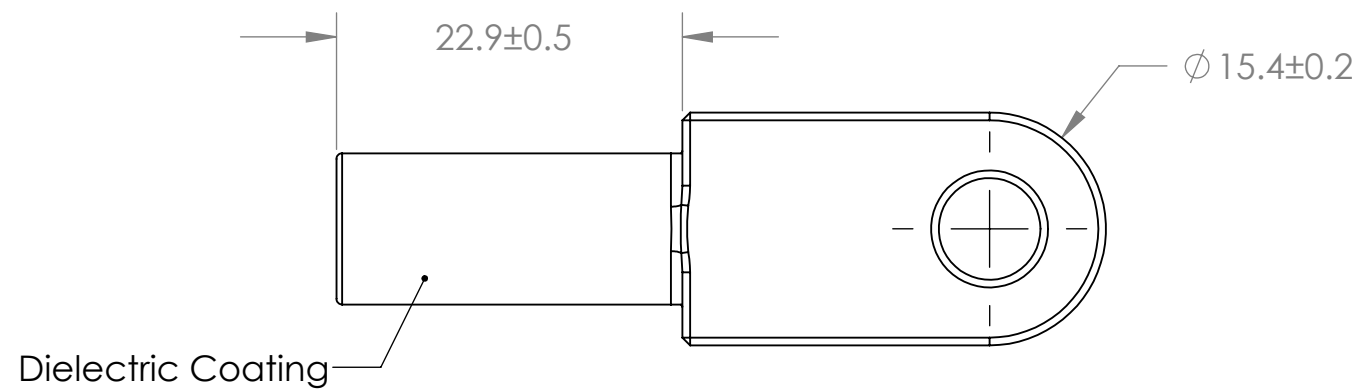
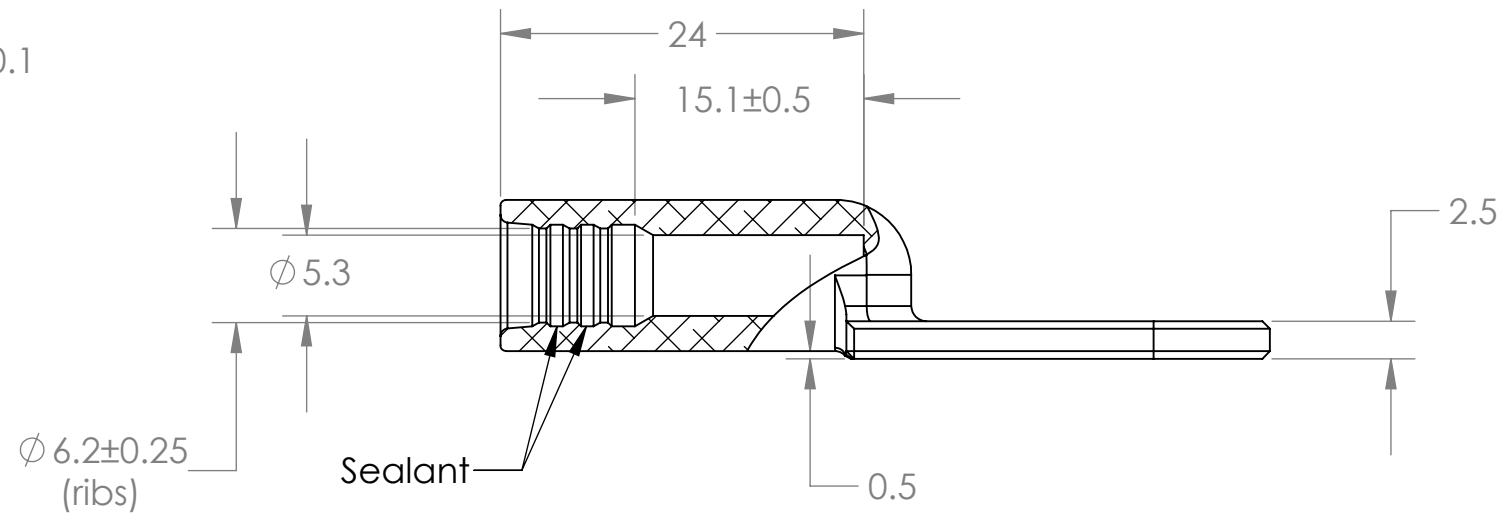
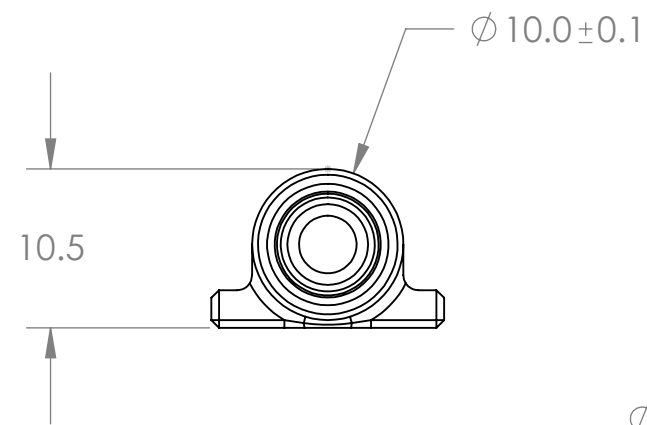


Mass = 6.6g Max



Legend Approx as Shown



NOTE:  
1. This Aluminum lug is terminated by CIT Crimp Die P/N 999-63004-200.

MAT'L CODE	MATERIAL DESCRIPTION	FIN CODE	FINISH DESCRIPTION	REV	E.C.O. NO.	DATE	APPR
	ALUMINUM		NICKEL	IR	ORIGINATED	2/24/2016	MB

DIMENSIONS IN MILLIMETERS		
THIRD ANGLE PROJECTION		
TOLERANCES UNLESS OTHERWISE SPECIFIED		
ANGLES ±2°		
WHOLE NUMBERS	±0.5	
One Place Decimals	±0.25	
Two Place Decimals	±0.10	
DRAW ENG.	B. Arenburg	3/30/2015
	B. Arenburg	3/30/2015

DESIGN, CONFIGURATION AND MECHANICAL FEATURES REVEALED ON THIS DRAWING ARE THE SOLE PROPERTY CARLISLE COMPANY AND ARE NOT TO BE DISCLOSED TO OTHER PARTIES WITHOUT EXPRESS CONSENT AND APPROVAL OF CARLISLE.		
<b>CARLISLE</b>	DESCRIPTION	PG. 1
Interconnect Technologies	AL Lug, 6 gage	OF 1
100 Tensolite Drive		
St Augustine, FL 32092	FSCM. 92607	NO. 695-18100-001